

BathPAK™
an EXPERT collection of 3D components for SketchUp®



FIXTURES & FITTINGS

Enhance your SketchUp® models
with another collection of
high-quality 3D components!



BathPAK is provided
in MAC & WINDOWS
formats for simple
"cut & paste"
furnishing of all your
bathroom designs!

Choose from over
400 finely detailed
bathroom fixtures
and fittings in 3D!

-for SketchUp v3-20

BYTESYZE STUDIO

©2020

BathPAK FIXTURES & FITTINGS
contains over 20 MB of 3D art!

BathPAK™
an EXPERT collection of 3D components for SketchUp®

Catalog of
BathPAK
Components

- LAVATORIES & BASINS
- TOILETS & BIDETS
- TUBS & WHIRLPOOLS
- SHOWERS
- COMMERCIAL
- ACCESSORIES



*Manufacturers
represented

AMERICAN STANDARD = AS
AQUAGLASS = AQ
KOHLER = K
KALLISTA = KAL
KROIN = KR
DURAVIT = DV
PORCHER = P

Rendered by
ART•LANTIST™

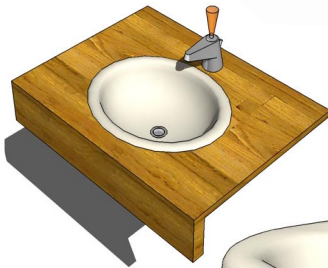


LAVATORIES & BASINS



AS LAV 1.skp
FAUCET SET L1.skp

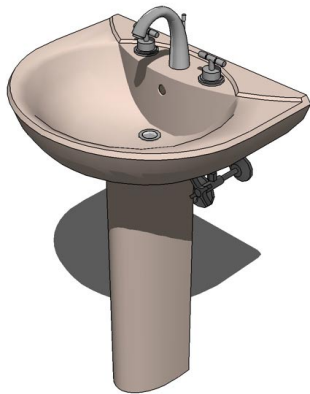
AS LAV 2.skp
FAUCET SET L2.skp
SOAP_WASHCLOTH.skp



AS LAV 3.skp
FAUCET SET L3.skp



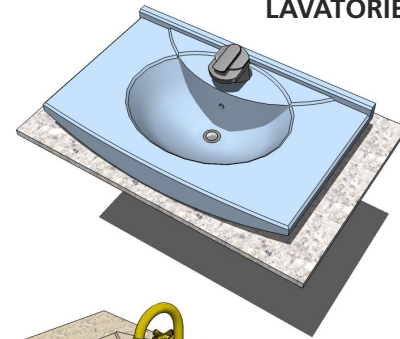
K LAV 1.skp
FAUCET SET L4.skp



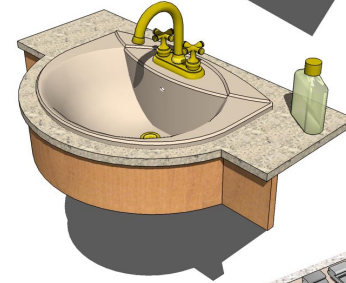
K LAV 2.skp
FAUCET SET L5.skp



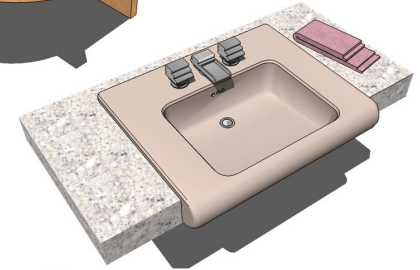
LAVATORIES & BASINS



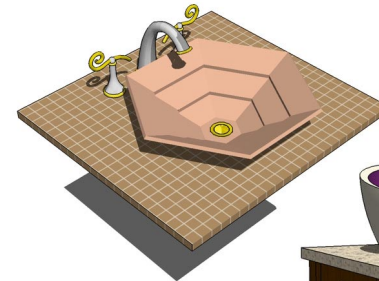
K LAV 3.skp
FAUCET SET L6.skp



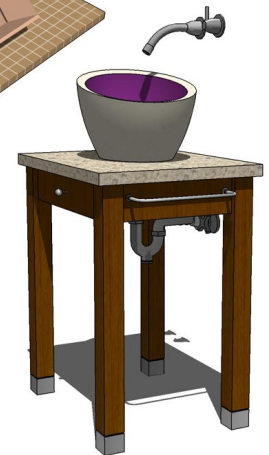
K LAV 4.skp
FAUCET SET L7.skp
LOTION.skp



K LAV 5.skp
FAUCET SET L8.skp
HAND TOWEL.skp



K LAV 6.skp
FAUCET SET L9.skp



K LAV 7.skp
K LAV 7-STAND.skp
FAUCET SET L10.skp



LAVATORIES & BASINS

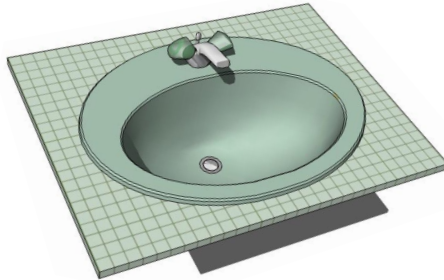
K LAV 8.skp
K LAV 8-BRACKET.skp
K LAV 8-PIPING.skp
FAUCET SET L11.skp



K LAV 9.skp
FAUCET SET L12.skp



K LAV 10.skp
FAUCET SET L13.skp

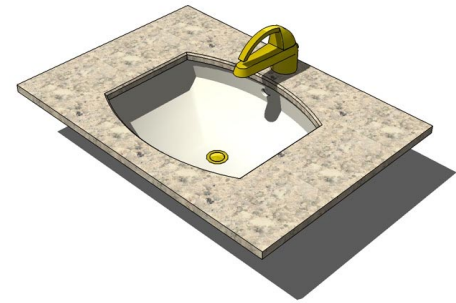


KAL LAV 1.skp
FAUCET SET L14.skp



LAVATORIES & BASINS

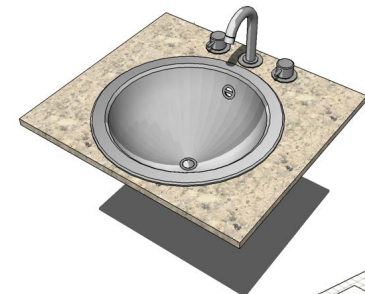
KAL LAV 2.skp
FAUCET SET L15.skp



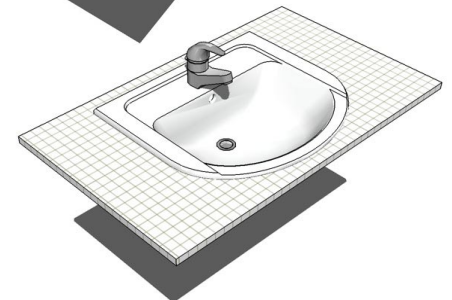
KR LAV 1.skp
FAUCET SET L16 .skp
FAUCET SET L16a.skp
FAUCET SET L16b.skp



KR LAV 2.skp
FAUCET SET L17.skp



P LAV 2.skp
FAUCET SET L18.skp





TOILETS & BIDETS



AS T1.skp

AS T2.skp



AS TB-B.skp
AS TB-T.skp



K T1.skp

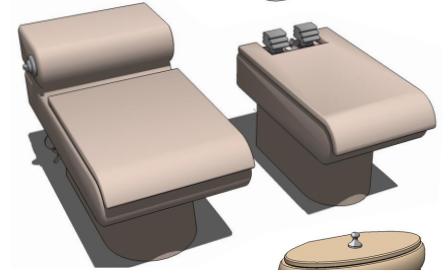
K T2.skp



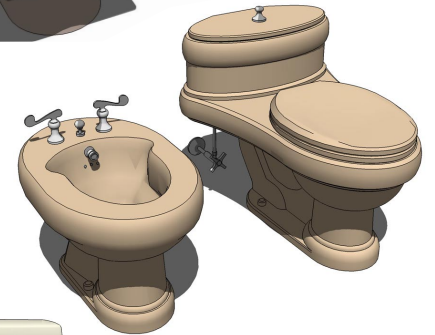
TOILETS & BIDETS



K TB1-B.skp
K TB1-T.skp



K TB2-T.skp
K TB2-B.skp



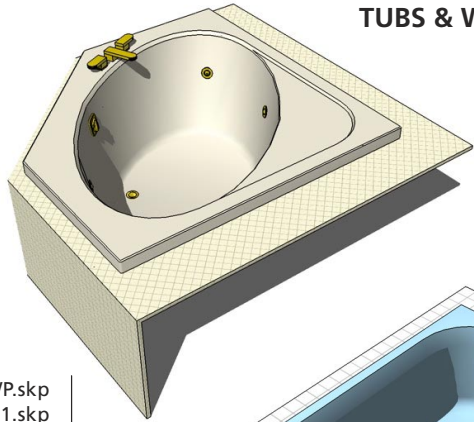
K TB3-T.skp
K TB3-B.skp



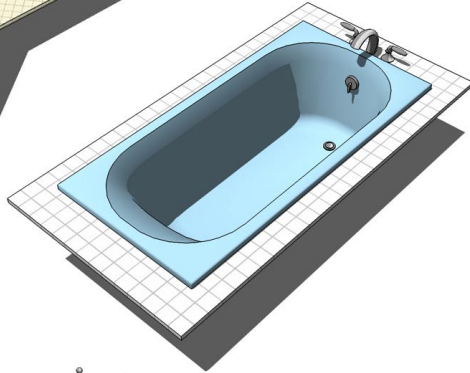
T T1.skp

T T2.skp
T T2-MAT.skp

TUBS & WHIRLPOOLS



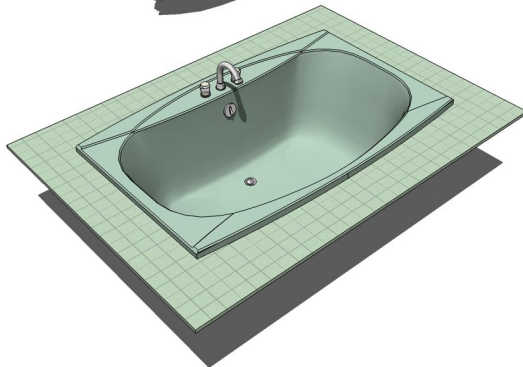
AQ WP.skp
FAUCET SET T1.skp



AS TUB.skp
FAUCET SET T2.skp

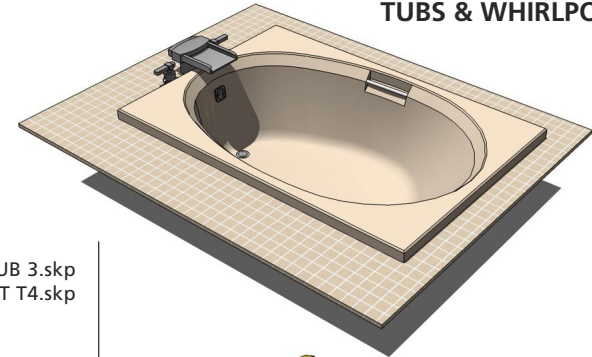


K TUB 1.skp
K TUB 1-PIPING.skp
TOWEL 1.skp

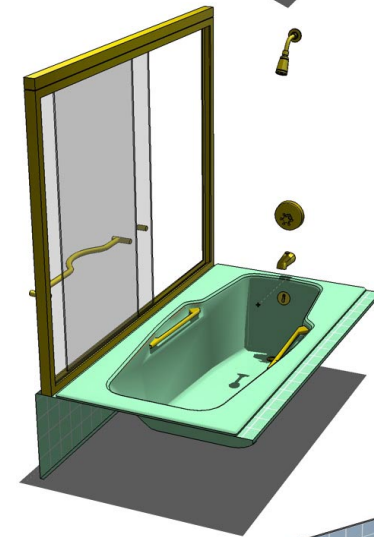


K TUB 2.skp
FAUCET SET T3.skp

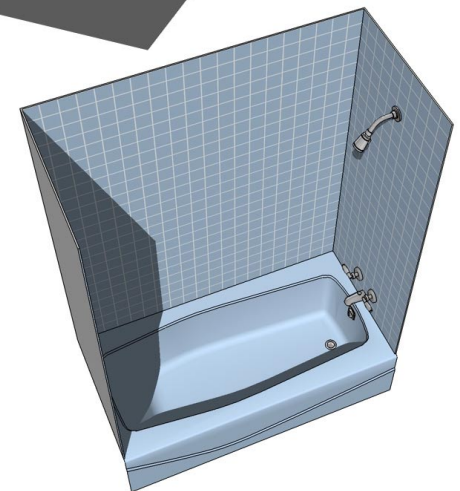
TUBS & WHIRLPOOLS



K TUB 3.skp
FAUCET SET T4.skp



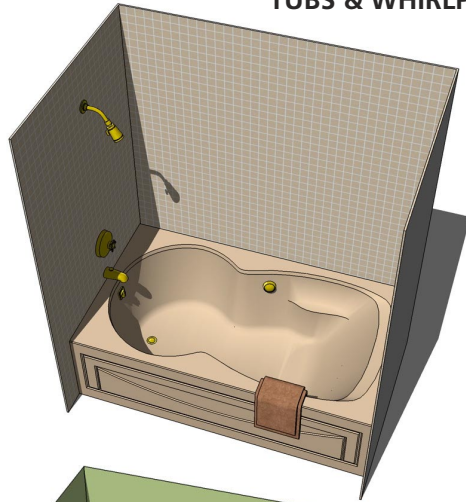
K TUB 4.skp
K TUB 4-ENCL.skp
SHOWER SET 1.skp



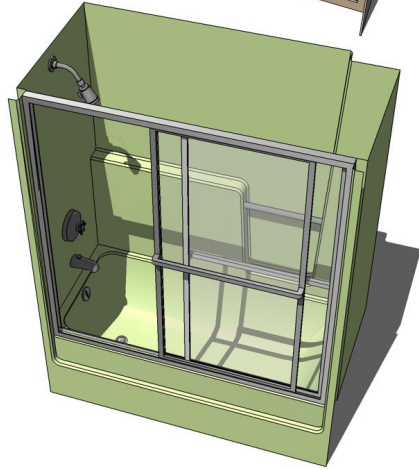
K TUB 5.skp
K TUB 5-TILE WALLS.skp
SHOWER SET 2.skp



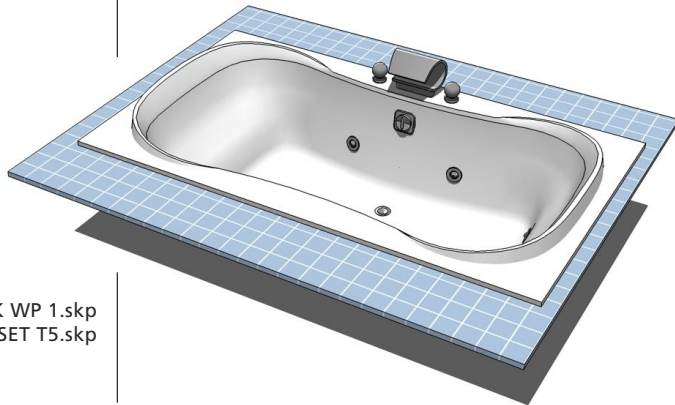
TUBS & WHIRLPOOLS



K TUB 6.skp
K TUB 6-TILE WALLS.skp
SHOWER SET 3.skp
TOWEL 2.skp



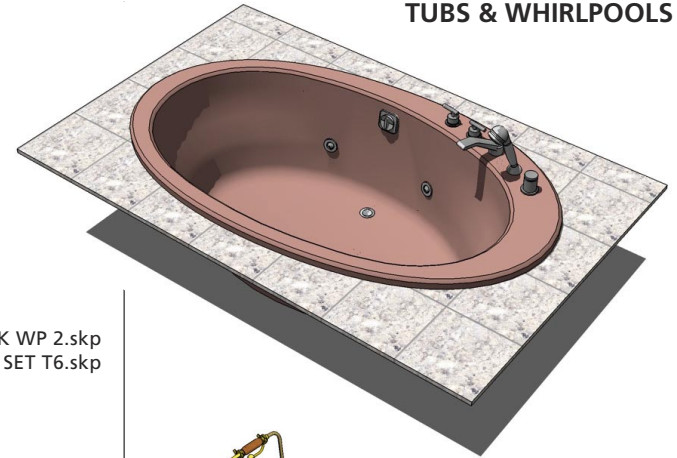
K BSMOD.skp
K BSMOD-ENCL.skp



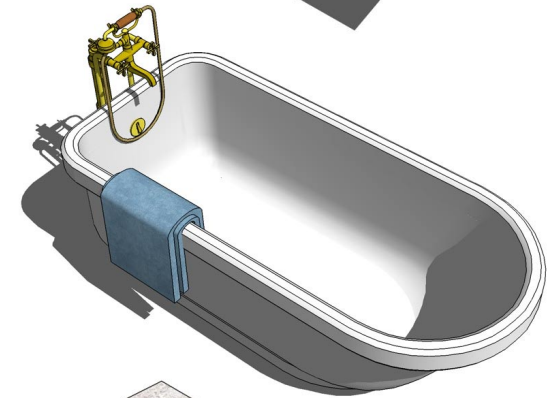
K WP 1.skp
FAUCET SET T5.skp



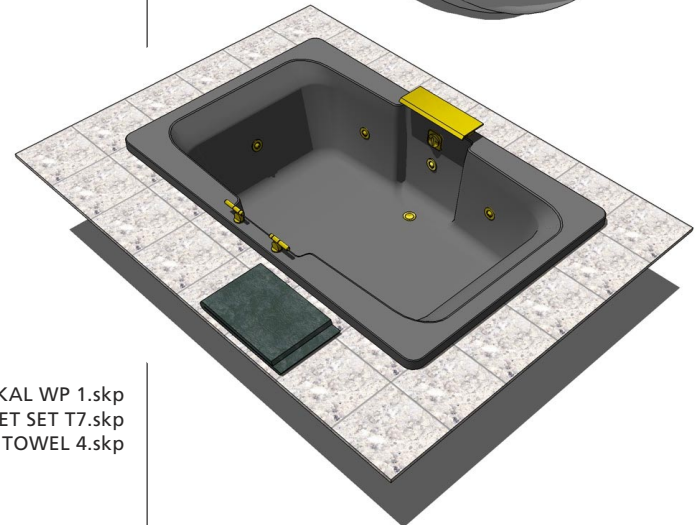
TUBS & WHIRLPOOLS



K WP 2.skp
FAUCET SET T6.skp



KAL TUB.skp
KAL TUB-PIPING.skp
TOWEL 3.skp

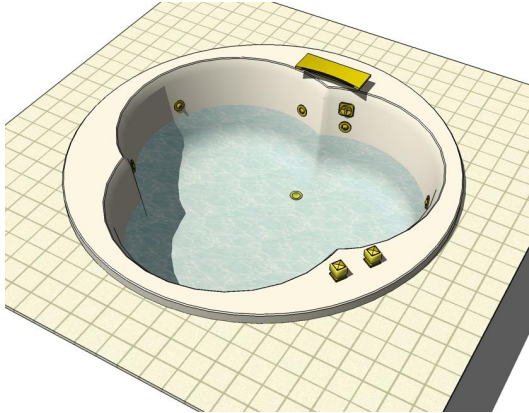


KAL WP 1.skp
FAUCET SET T7.skp
TOWEL 4.skp

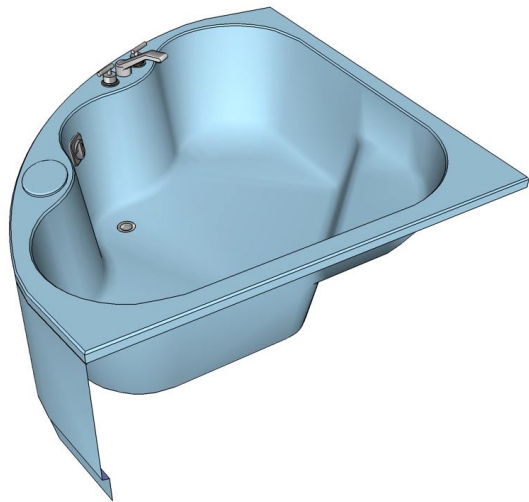


TUBS & WHIRLPOOLS

KAL WP 2.skp
FAUCET SET T8.skp
WATER.skp

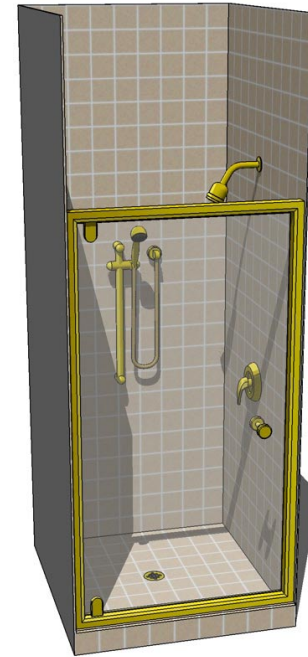


P TUB.skp
FAUCET SET T9.skp

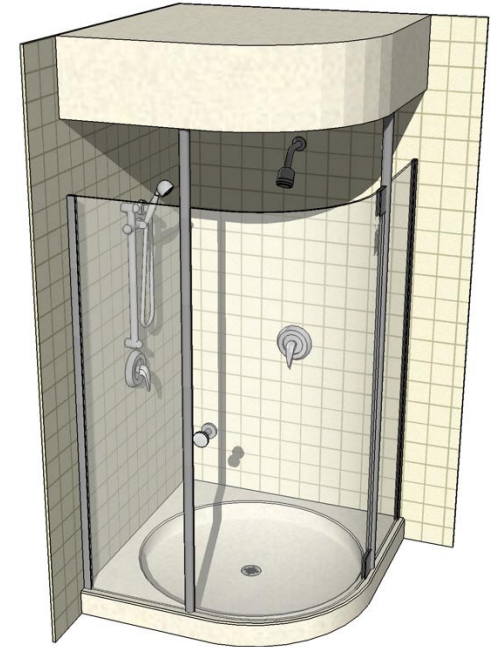


SHOWERS

K SHWR 1.skp
K SHWR 1-FITTINGS.skp

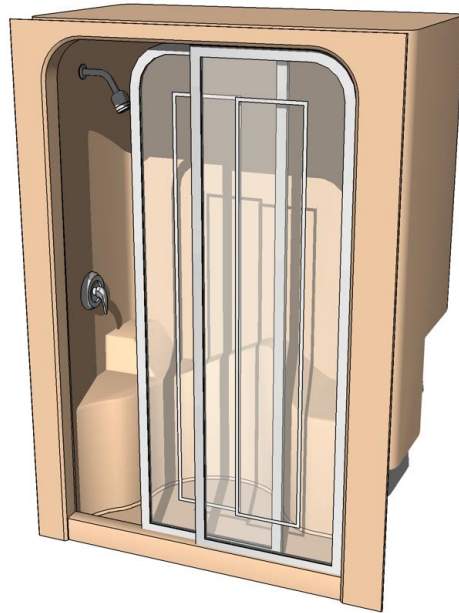


K SHWR 2.skp
K SHWR 2-ENCL.skp
K SHWR 2-FITTINGS.skp

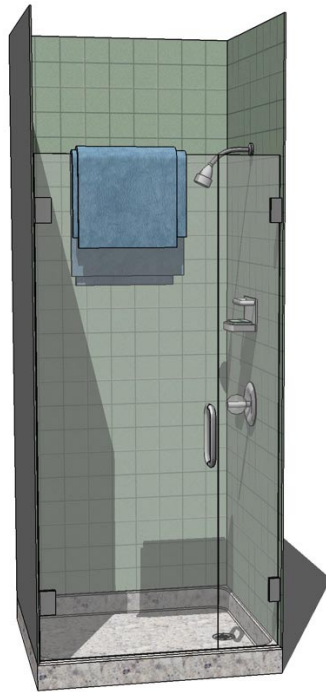




SHOWERS



K SHWR 3.skp
K SHWR 3-FITTINGS.skp

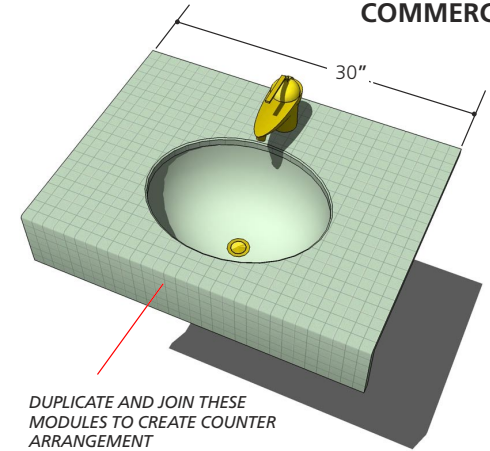


SHWR 36x36.skp
SHWR 36x36-FITTINGS.skp
TOWEL 5.skp



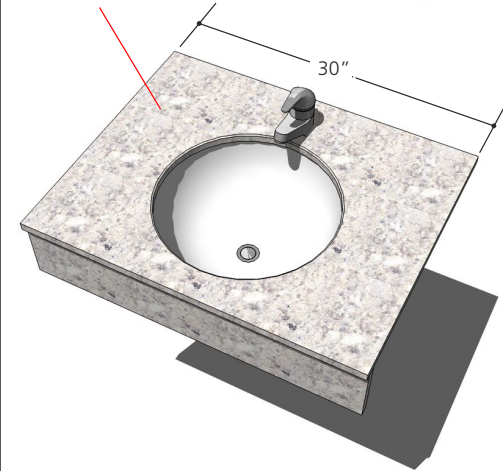
COMMERCIAL

AS LAV 16-OVAL.skp
FAUCET SET C1.skp

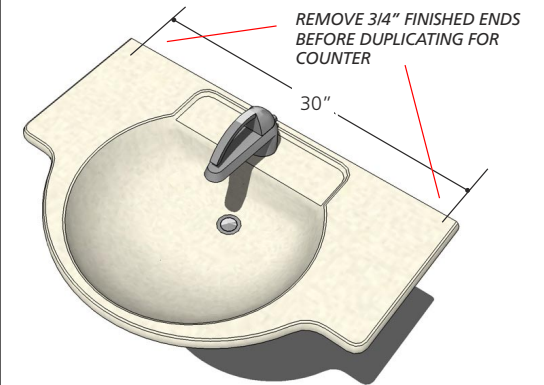


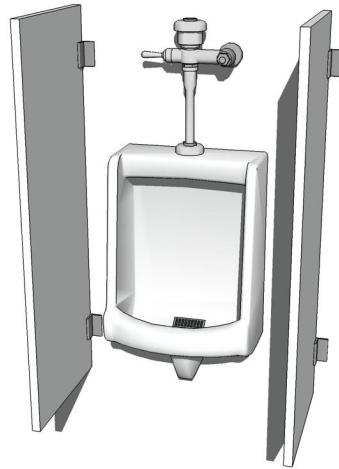
DUPLICATE AND JOIN THESE
MODULES TO CREATE COUNTER
ARRANGEMENT

AS LAV 16-ROUND.skp



DC LAV.skp





COMMERCIAL



AS UR 1.skp
URINAL SCREENS.skp

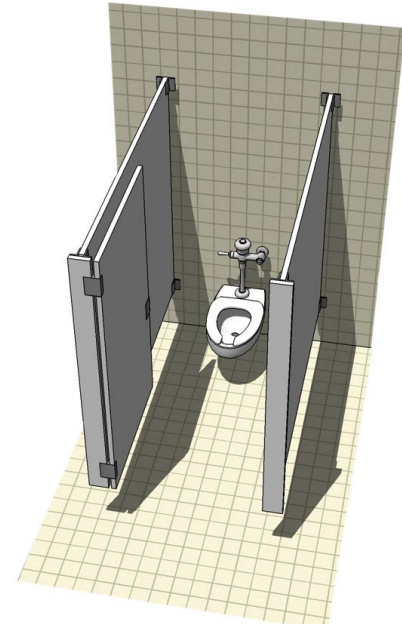
AS UR 2.skp



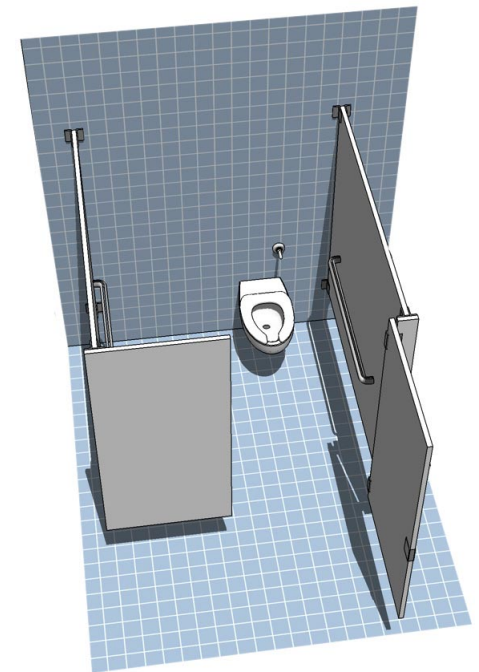
DV WC.skp



COMMERCIAL



AS STALL-WC.skp
AS STALL-PARTITIONS.skp



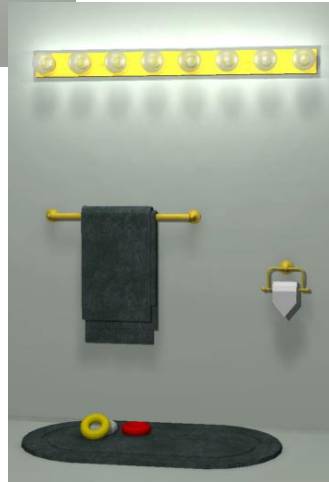
AS STALL-HC.skp
AS STALL-HC PART.skp



ACC 1 GLASS SHELF.skp
 ACC 1 MIRROR.skp
 ACC 1 SOAP DISH.skp
 ACC 1 TB HOLDER.skp
 ACC 1 TOWEL BAR.skp
 TOWEL.skp



ACC 2 LIGHT BAR.skp
 ACC 2 TOWEL BAR.skp
 ACC 2 TP HOLDER.skp
 ACC 2 TOWEL_MAT.skp
 TOYS.skp



ACC 3 ETAGERE.skp
 ACC 3 SCONCE.skp
 ACC 3 TOWEL ROLLS.skp
 ACC 3 TOWEL SET 1.skp
 ACC 3 TOWEL SET 2.skp

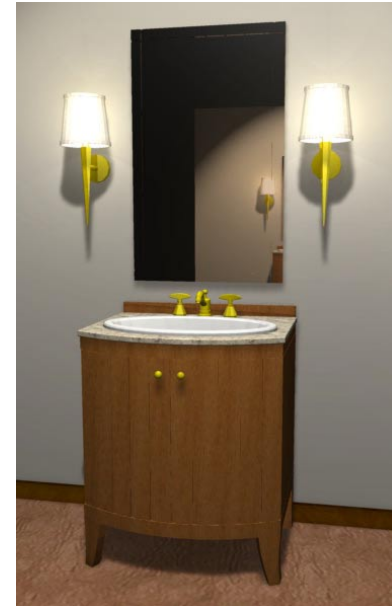


Rendered by
 ART•LANTIS™

ACCESSORIES



ACC 4 CABINET.skp
 ACC 4 MIRROR.skp
 ACC 4 SCONCE.skp
 ACC 4 SINK TOP.skp



ACC 5-CABINET.skp
 ACC 5-MIRROR.skp
 ACC 5-SCONCE.skp
 ACC 5-SINK TOP.skp
 BOTTLES.skp



Rendered by
 ART•LANTIS™

ACCESSORIES

FIXTURES & FITTINGS

Choose from a variety of bathroom fixtures and fittings!

Duplicate basic elements to build your complete bath layout.

*Get photo-quality renditions using Art•Lantis® —as shown here!

The intricacy and construction of *BathPAK* images reinforce your model's realism!



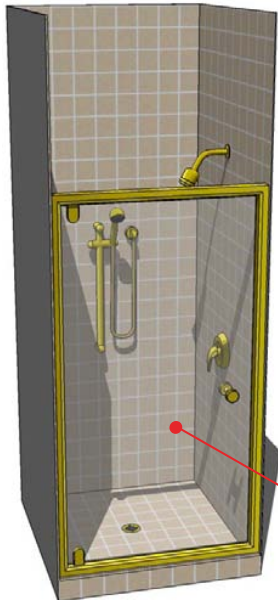
floor and wall tile patterns...

bath mats and towels...

even add some WATER!

IS IT REAL?

Create the perfect bathing environment with a variety of tubs and whirlpools!



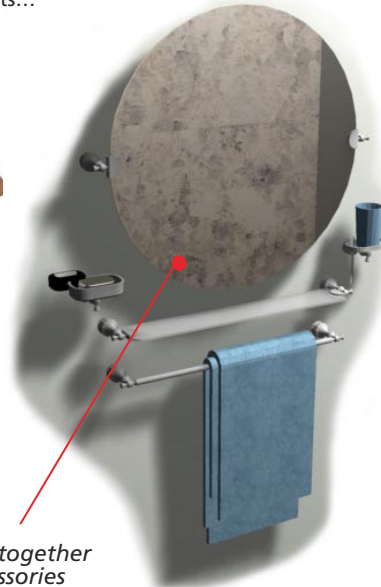
Manufacturers represented include:

- AMERICAN STANDARD
- KOHLER
- AQUAGLASS
- KALISTA
- KROIN
- PORCHER
- TOTO
- DURAVIT

Add glass & mirrors* together with BathPAK accessories to "stage" your bathroom...



water efficient toilets...



matching Design Line fixtures...

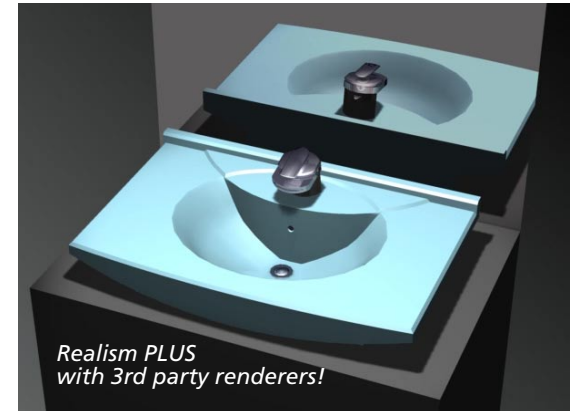
residential & commercial...

Be ready to design those elegant restrooms in a hotel, country club or casino!

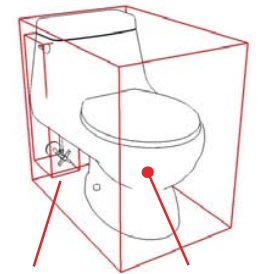


Extend or reshape pre-cut counter cutouts to suit your design...

Change finish on a variety of "mix & match" faucet sets...



Realism PLUS with 3rd party renderers!



major elements are grouped separately for easy color & finish changes



BPAK TEXTURES
custom .jpegs for textures & materials

Use *BathPAK* components as study "guides" to develop your own capabilities with SketchUp!

View the *BathPAK* Gallery: www.bytesize.com

A fantastic value! **US \$195⁰⁰**
for this model-packed offer!



YES, I *do* want
BathPAK
for *SketchUp*

FIXTURES & FITTINGS

NOW only \$75

Here's my check _____

VISA % MASTERCARD ACCEPTED

Name _____

Company _____

Address _____

City _____

State _____ ZIP _____

Country _____

Business _____

Tele _____ FAX _____

E-Mail _____

Mail, Phone

BYTESYZE STUDIO

2751 SPENCERS KNOLL • SANTA FE, NM • 87501 • USA
TEL: 505 / 231-6860

www.bytesyze.com

BathPAK

FIXTURES & FITTINGS
includes native .skp files
on CD-ROM for MAC or
Windows with:

Over 400 - 3D renditions
of lavatories, basins,
toilets, faucets, bidets,
showers, tubs, whirlpools
and bath accessories for
"staging" your design.

Complete document-
ation includes thumb-
nail reference catalog
as well as Tips and
Hints!

These bath fixtures
and other accents add
convincing realism to
make all your bath
and boudoir designs
saleable!

You may not have
the time to create
those accents in 3D...
but, you do have
SketchUp....

NOW you can have...

BathPAK!

R. B. Sprague, AIA

ON THE WEB!



UNDER RECONSTRUCTION

BathPAK is a trademark of
BYTESYZE STUDIO
SketchUp is a reg. trademark of
©Last Software, Inc.
ArtLantis is a reg.
trademark of Abvent, inc.